



PROUDLY MADE IN THE USA
An ISO 9001:2015 Certified Company



MODEL 9900LED MINIBAR



This light utilizes high-intensity LED Lamps. DO NOT stare directly into the light while it is on, as momentary blindness and/or permanent eye damage may occur.

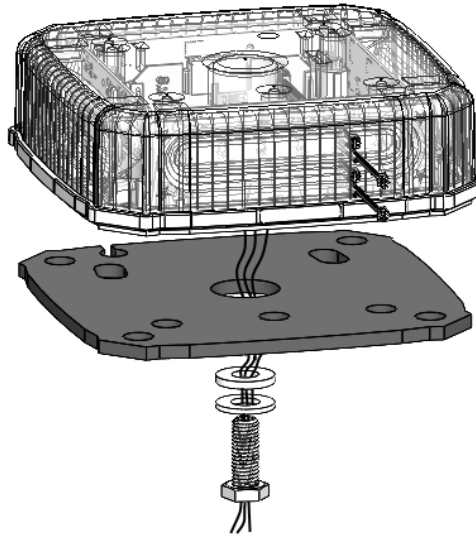
IMPORTANT: Please read all of the following instructions before installing your new light.

Single Bolt Mounting (9900LEDB Series)

The 9900LEDB is designed to be mounted through a single 1/2" or 13mm hole and secured with the enclosed M12-1.75 hollow 12mm bolt.

Route your wires through the gasket, the mounting surface, the two washers, and then through the hollow bolt as shown to the right.

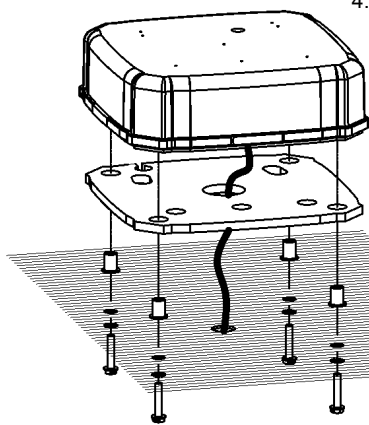
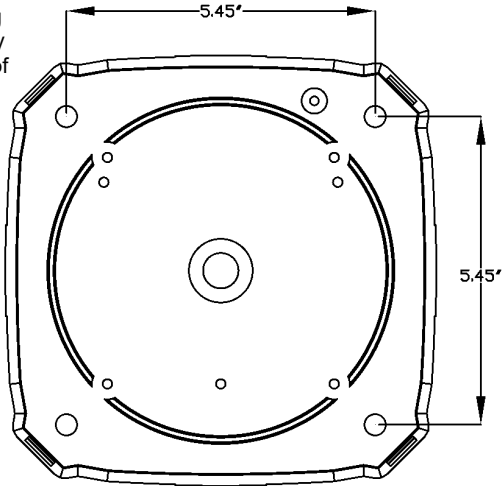
Secure the light with the bolt and make your electrical connections.



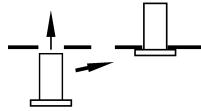
PLIT607 REV. A 2/22/21

Surface Mounting Instructions

1. This light is intended to be mounting using four bolts that screw into molly well nuts pressed into each corner of the minibar.
2. Using the gasket as a template, mark the four mounting holes and the center wire hole (if you will be needing one) as shown to the right.
3. Check the underside of the marked locations to ensure that you do not damage any wires or other components. Drill an 11/64" hole in the four marked spots for the mounting bolts, and a 1/2" hole in the center for your wires (if applicable).
CAUTION: Take care not to drill through the headliner below.



4. If the 4 threaded molly well nuts are not already installed in the base of your bar, install them by pressing one into each of the four holes found on the corners of the base of the light until the lip rests on the bottom surface of the base.



5. Route your wires through the center hole of the gasket and mounting surface (if applicable) and attach the light using the enclosed bolts, flat washers, and tooth washers. Insert the bolts from below, through the holes you drilled in the mounting surface and screw them into the molly well nuts on the light. Tighten until snug.

Magnet Mounting Instructions

*If you are mounting the light on the roof of your vehicle, take extreme care to ensure that the magnet is firmly seated on your roof, and that the pull of the magnet is sufficient to secure the light in place. Since the composition of the metal in the roofs of different vehicles may vary, as well as the contour, texture, and/or condition, Star cannot guarantee the ability of the light to remain in place on a moving vehicle. **It is the sole responsibility of the owner to ensure the warning light is secure.***



Care should be taken when routing the cig plug cord so that it does not interfere with the proper operation of the driver-side or passenger-side airbag! Failure to heed this warning may result in serious or fatal injury.

Hard Wire Instructions (Perm Mount Models)

CAUTION: All wires connected to the positive terminal of the battery should be fused at the battery for their rated load. **Testing the light before this fuse is properly installed will void the warranty on the light.**

BLACK - (Ground) Connect to the negative side of the battery.

RED - (Power) Connect to +12 VDC through your switch. *Be sure to use a 10 amp fuse when connecting the switch to the positive side of the power supply.*

PURPLE - (Optional - High/Low) Switches the light between High and Low power.

- **High Power Only:** Leave disconnected (cover wire with wire nut or tape).
- **Low Power Only:** Connect to +12VDC or Ground.
- **High/Low Switching Option:** Connect to 12VDC or Ground through a switch.

GREEN - Touch and release to +12VDC or GROUND to scroll through patterns.

WHITE - (Synchronization) To synchronize the flashing of multiple units, connect the white wires from up to six units together, **ONLY AFTER PROGRAMMING** them for the **same** pattern (see *Synchronization of Multiple Lights* section on next page).

If you are only installing one unit, cut the White wire short and tape the end.

Pattern Programming

- To change patterns, press and release the Pattern Select Button (*cig plug models only*) or briefly touch and release the Green wire to +12VDC or GROUND (*hard-wired versions only*).
- The cycle repeats after the last pattern.
- **Pattern Shortcuts:** Hold the Pattern Select Button or hold the Green wire to +12VDC or GROUND for the length of time that corresponds to the pattern you would like to jump to.




After selecting a pattern, deactivate the light to store the selected pattern.

Phase 1 Flash Pattern	Phase 2 Flash Pattern	Pattern Type	Pattern Description	Shortcuts
1	13	K	Flicker †	← Pattern 1: 3 sec or 1 flash
2	14	L	Fast Doubleflash	Pattern 13 9 sec or 3 flashes
3	15	M	Tripleflash †	
4	16	A3	Fast Quadflash †	← Pattern 6: 6 sec or 2 flashes
5	17	A4	Fast Doubleflash †	
6	18	F	Quadflash †	Pattern 18 12 sec or 4 flashes
7	19	G	Quadflash w/Post-Pop †	
8	20	H	Singleflash †	
9	21	I	Doubleflash †	
10	22	-	Variable AKA Delta-Omega	Pattern 18 12 sec or 4 flashes
11	23	C	Post pop 1.4CPS †	
12	24	-	Random 0.4CPS	← Pattern 6: 6 sec or 2 flashes
NA	NA	NA	Steady	

† SAE J845 Compliant Patterns when properly configured

Synchronization of Multiple Lights

You can synchronize up to six lights with  compatibility.

DO NOT CONNECT WHITE WIRES UNTIL PROGRAMMING HAS BEEN COMPLETED FOR ALL LIGHTS!!

1. Power up the first unit and select a Phase 1 pattern.
2. Program the second light with the same **Pattern Type**.
 - Use the same **Phase** if you want the lights to flash together (simultaneous).
 - Use the opposite **Phase** if you want the lights to flash opposite one another (alternate).
3. After programming all lights, tie off the Pattern Select wires and connect the white wires together.
4. Test lights by applying power to all of them at the same time.

LED FIVE YEAR LIMITED WARRANTY

The manufacturer warrants this LED light against factory defects in material and workmanship for five years after the date of purchase. The owner will be responsible for returning to the Service Center any defective item(s) with the transportation costs prepaid. The manufacturer will, without charge, repair or replace *at its option*, products, or part(s), which its inspection determines to be defective. Repaired or replacement item(s) will be returned to the purchaser with transportation costs prepaid from the service point. A copy of the purchaser's receipt must be returned with the defective item(s) in order to qualify for the warranty coverage. Exclusions from this warranty include, but are not limited to, domes, and/or the finish. This warranty shall not apply to any light, which has been altered, such that in the manufacturer's judgment, the performance or reliability has been affected, or if any damage has resulted from abnormal use or service.

There are no warranties expressed or implied (including any warranty of merchantability or fitness), which extend this warranty period. **The loss of use of the product, loss of time, inconvenience, commercial loss or consequential damages, including costs of any labor, are not covered.** The manufacturer reserves the right to change the design of the product without assuming any obligation to modify any product previously manufactured.

This warranty gives you specific legal rights. You might also have additional rights that may vary from state to state. Some states do not allow limitations on how long an implied warranty lasts. Some states do not allow the exclusion or limitation of incidental or consequential damages. Therefore, the above limitation(s) or exclusion(s) may not apply to you.

If you have any questions concerning this or any other product, please contact our **Customer Service Department** at (585) 226-9787.

If a product must be returned for any reason, please contact our Customer Service Department to obtain a Returned Material Authorization number (RMA #) before you ship the product back. Please write the RMA # clearly on the package near the mailing label.

Please Note: These instructions are provided as a general guideline only. Specific mounting, wiring, and/or weather-sealing may be necessary and are the sole responsibility of the installer. Star Headlight & Lantern Co., Inc. assumes no responsibility for the integrity of the installation for this or any of its products.

NOTICE

Due to continuous product improvements, we must reserve the right to change any specifications and information, contained in this manual at any time without notice. Star Headlight & Lantern Co., Inc. makes no warranty of any kind with regard to this manual, including, but not limited to, the implied warranties of merchantability and fitness for a particular purpose. Star Headlight & Lantern Co., Inc. shall not be liable for errors contained herein or for incidental or consequential damages in connection with the furnishing, performance, or use of this manual.

